

HVC 6mm两孔连接器 (180°)

高电压,大电流16mm²/25mm²线缆,金属屏蔽, HVIL(高压互锁)

产品型号:

→ 插头:

HVC2P60FSX16 (16 mm² Ø9.6~10.2)

HVC2P60FSX25(25 mm² Ø11.6~12.2)

→ 插座:

HVC2P60MVX00 (Type 1, Ø5.2mm)

“X” code 代码: 1/2/3/4

对配设计:

→ 自锁卡构

→ CPA确认锁定结构

→ 手动把手操作

端子规格:

→ 2x Ø 6mm Radsok, 镀银

→ 适配线缆规格: 16/25 mm² 带屏蔽

→ 高压互锁端子

端子连接工艺:

→ 插头大电流端子压接处理

→ 高压互锁端子压接处理

常规特性:

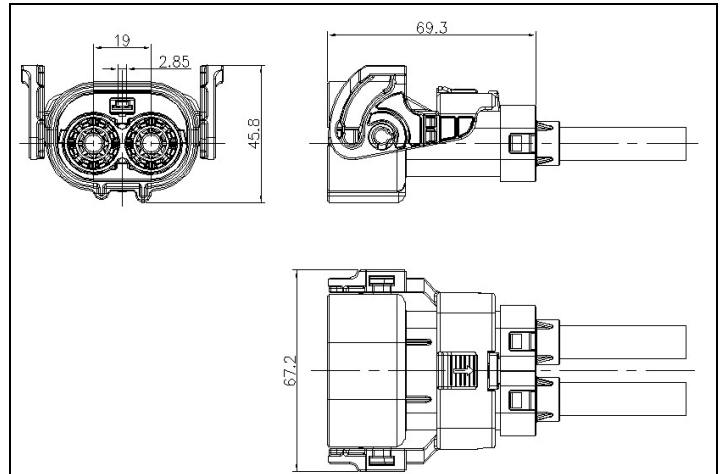
→ IP67, IP6K9K (配合状态)

→ IPXXB (未配合状态)

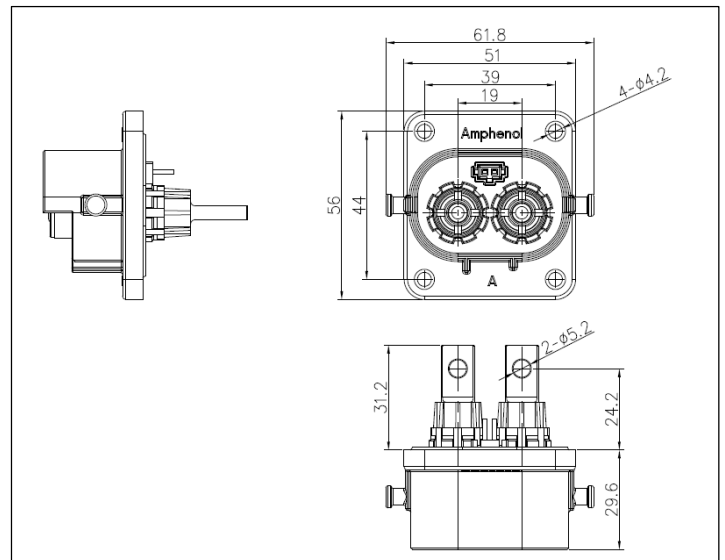
→ 高压互锁



插头:



插座:



性能参数:

→ 温度区间: -40°C to +125°C

→ 最大额定电压: 1000V DC

→ 配合次数: 最少50次

→ 最大工作电流:

16mm²=100A

25mm²=125A

结构材质:

→ 塑胶壳体材料: PA66-GF V0, 橙色

→ 端子材料: 铜合金, 镀银

→ RFI/EMI防护: 金属屏蔽

HVC 6mm 2 poles connector (180°)

High voltage, High current, 16/25mm² wire, Metal shielded, HVIL

Part No.:

- Plug:
 - HVC2P60FSX16 (16 mm² Ø9.6~10.2)
 - HVC2P60FSX25 (25 mm² Ø11.6~12.2)
- Socket:
 - HVC2P60MVX00 (Type 1, Ø5.2mm)

“X” indicates code 1/2/3/4

Mating design:

- Serviceable locking leg
- Locking assurance by CPA
- Operation with handle

Terminal system:

- 2x Ø 6 mm Radsok terminal, silver plating
- Wire size 16/25mm², shielding
- HVIL contact system

Terminal technology:

- Crimping for female power terminal
- Crimping for female signal terminal

General:

- IP67, IP6K9K (mated)
- IPXXB (unmated)
- HVIL
- 360° shielding
- Code: 1/2/3/4

Performance characteristics:

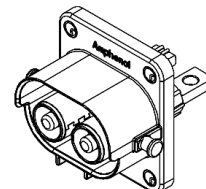
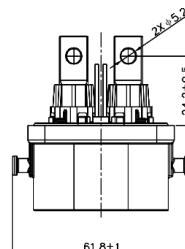
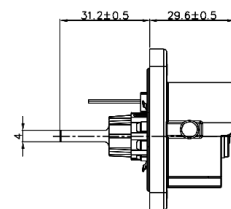
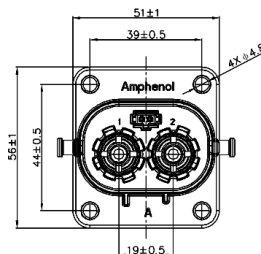
- Unmating force: ≤ 100N
- Temperature range: -40°C to +140°C
- Max. rated voltage: 800V DC
- Mating cycles: 50 Min.
- Max. rated current:
 - 16mm²: 100A (85°C)
 - 25mm²: 125A (85°C)

Construction:

- Housing material: PA66-GF V0, orange
- Terminal material: Copper alloy
- RFI/EMI protection: Metal shielding



Socket:



Plug:

