

HVC 2.8mm 2 poles connector

High voltage, high current, 2.5mm²-5.0mm² wire, metal shielded, HVIL

Part-No.:

- Plug:
 - HVC2P28FSX02 (2.5mm² Shield)
 - HVC2P28FSX04 (4 mm² Shield)
 - HVC2P28FSX05 (5 mm² Shield)
- Inline:
 - HVC2P28LSX02 (2.5mm² Shield)
 - HVC2P28LSX04 (4 mm² Shield)
 - HVC2P28LSX05 (5 mm² Shield)

"X" indicates code 1/2/3/4

Mating design:

- Secondary locking

Terminal system:

- 0.8 x 2.8 mm , Silver plated
- Wire size 2.5 / 4 / 5 mm²
- HVIL contact system , 0.5mm²

Termination technology:

- Crimping for power terminal
- Crimping for HVIL terminal

General:

- IP67, IP6K9K (mated)
- IPXXB (unmated)
- HVIL
- 360° shielding

Performance characteristics:

- Pull out force : ≤ 75N
- Temperature range : - 40°C to +140°C
- Voltage range : 900V DC
- Mating cycles : 50 MIN
- Rated current :
 - 2.5mm² = 20A @ 85°C
 - 4mm² = 30A @ 85°C
 - 5mm² = 40A @ 85°C

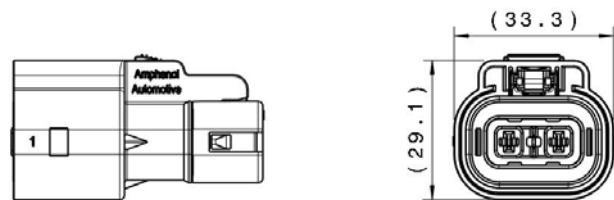
Construction:

- Housing material : PA66-GF V0
- Terminal material : Cu alloy

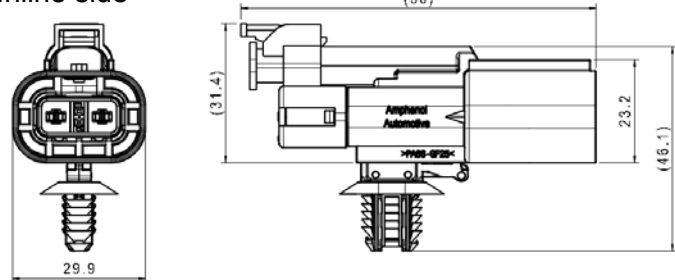


Dimensional characteristics:

Plug side



Inline side



Individually Cable information		Wire diameter(mm)	
		MIN	MAX
Plug side	2.5mm ² shield	4.4	5.1
	4.0/5.0mm ² shield	5.1	5.9
Inline side	2.5mm ² shield	4.4	5.1
	4.0/5.0mm ² shield	5.1	5.9

HVC 2.8mm 2 孔连接器

高电压,高电流, 适用单芯导线 $2.5\text{mm}^2\sim 5.0\text{mm}^2$, 金属屏蔽, 高压互锁

零件号:

- 插头:
 - HVC2P28FSX02 (2.5mm² 单芯屏蔽线)
 - HVC2P28FSX04 (4 mm² 单芯屏蔽线)
 - HVC2P28FSX05 (5 mm²单芯屏蔽线)
- Inline插座:
 - HVC2P28LSX02 (2.5mm²单芯屏蔽线)
 - HVC2P28LSX04 (4 mm²单芯屏蔽线)
 - HVC2P28LSX05 (5 mm²单芯屏蔽线)

“X” 代表不同的 code 1/2/3/4

对插设计:

- Secondary locking

Terminal system:

- 主端子, 0.8 x 2.8 mm , Silver plated
- 主端子, 线径 2.5 / 4 mm²
- 高压互锁端子, 0.5mm²

端子压接:

- 主端子: 常规压接
- 高压互锁端子: 常规压接

常规要求:

- 防水: IP67, IP6K9K (公母端对插后)
- 安全防护: IPXXB (对插前)
- 高压互锁功能
- 360° 屏蔽

Performance characteristics:

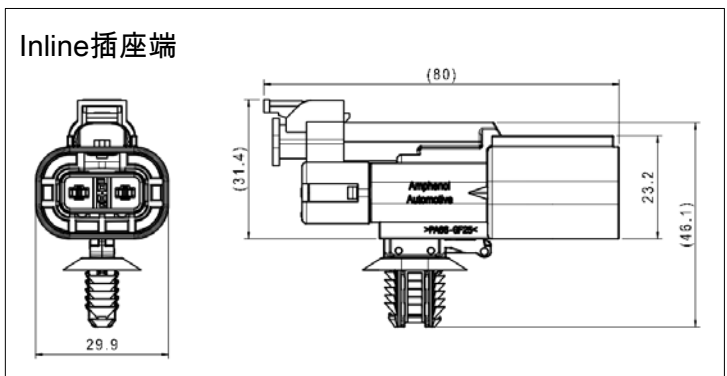
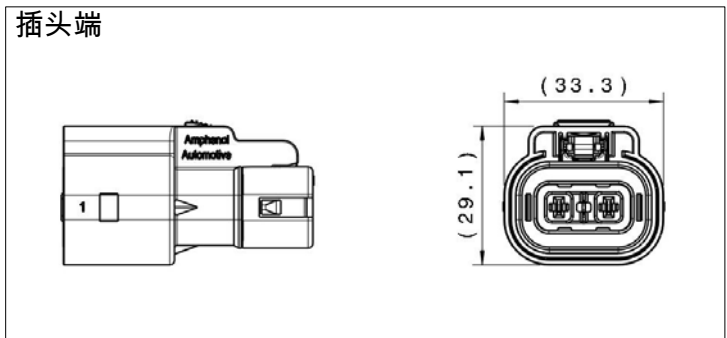
- 公母端保持力 : $\leq 75\text{N}$
- 适用温度范围 : -40°C to $+140^{\circ}\text{C}$
- 电压范围 : 900V 直流电
- 对插循环次数 : 不少于50
- 额定电流 :
 - $2.5\text{mm}^2 = 20\text{A} @ 85^{\circ}\text{C}$
 - $4\text{mm}^2 = 30\text{A} @ 85^{\circ}\text{C}$
 - $5\text{mm}^2 = 40\text{A} @ 85^{\circ}\text{C}$

材质选用:

- 塑料外壳 : PA66-GF 阻燃 UL94 V-0
- 端子材料 : 铜合金



Dimensional characteristics:



单芯导线要求		Wire diameter(mm)	
		MIN	MAX
插头端	2.5mm ² 屏蔽导线	4.4	5.1
	4.0/5.0mm ² 屏蔽导线	5.1	5.9
Inline插座端	2.5mm ² 屏蔽导线	4.4	5.1
	4.0/5.0mm ² 屏蔽导线	5.1	5.9