

# Retainer

## Ø 11mm FCI interface retainer with shorting clip

Part-no.: C252 15B002 XXX 3

- Retainer with integrated shorting clip (to be mounted into the Ø11mm ignitor)
- Shorting clip selective gold plated at contact points
- Extensions to prevent rotation in ignitor
- Mechanical codings available
- Different colours available



### Performance characteristics:

- temperature range: -40°C to +90°C

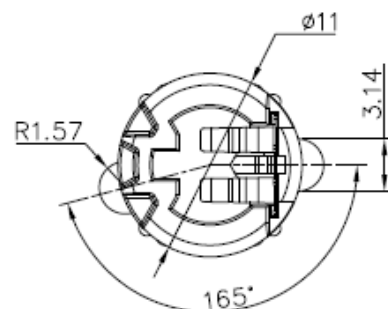
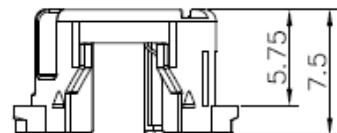
### Construction:

- housing material: PBT
- contact material: CuSn

### Connector interface:

- Ø11mm FCI
- Code A (Green)  
A (Black)  
B (Yellow)  
C (Purple)

### Dimensional characteristics:



### Generator interface:

- Ø11mm VDA-AK1 Type K, L
- Ø11mm BNA